

## LIFT &amp; TURN COMPOSITE CAP

All Shaw caps feature non rotating seals which last the life of the vehicle.

## Key Features

- Locking design with standard padlock or built in keyed lock
- Rollover safe meets 70/221 EEC. Leak tight during side slope and extreme operations
- Compatible with diesel fuel, hydraulic oil, and most service fluids



TYPICAL VEHICLE INSTALLATION WITH OPTIONAL INTEGRAL KEYED LOCK

## General Specifications

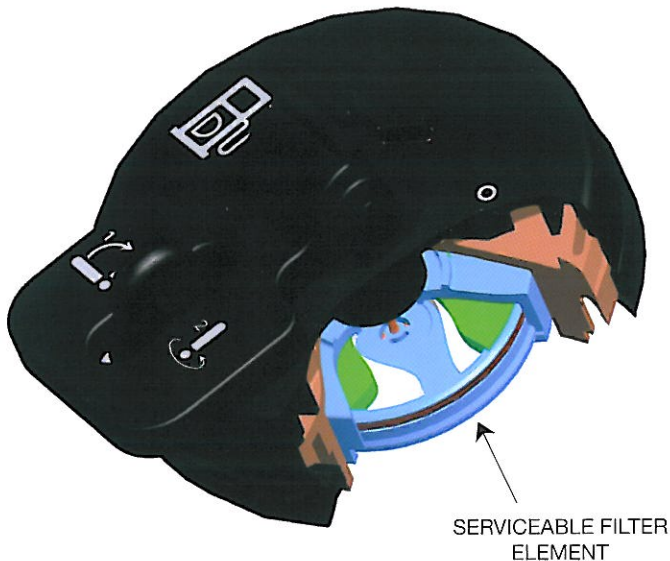
- Manufactured from impact resistant robust composite materials
- Fits many standard 100mm OD filler necks or bolt-on, threaded or welded adapters
- Does not allow water to enter tank from outside sources such as rain or vehicle wash downs
- Use with filler nozzles up to 2.75" diameter

## Operation

The lift and turn design handle offers simple one hand operation. To remove the cap raise the handle, turn it counterclockwise, and lift the cap off of the adapter.

## Available Options

- Custom logos, symbols or colors
- Custom filtration ratings
- Venting- Positive, vacuum, non-vented or any combination
- Standard cap design can be modified to meet customer specifications.





The Shaw Commercial Series Products are custom designed to fit your specific needs.

Designed primarily for off-road construction equipment, agricultural equipment, and trucking, Shaw can custom engineer that particular part that you just can't seem to find anywhere else.

### FILTRATION AND VENTING SPECIFICATIONS

- Field serviceable filter element
- 120 and 10 micron nominal filters available
- Low vacuum cracking pressures which reduce stresses on fuel tank and fuel pump and may be used on composite fuel tanks
- Positive venting to relieve pressure within tank caused from thermal expansion, but no leakage on side slope or in rollover situations



### STRAINER OPTIONS AVAILABLE

Perforated Metal, or Screen Mesh in any size or length.

See strainer data sheet for specifications

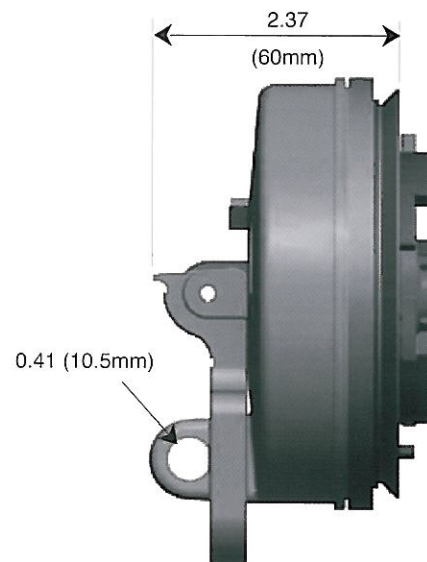
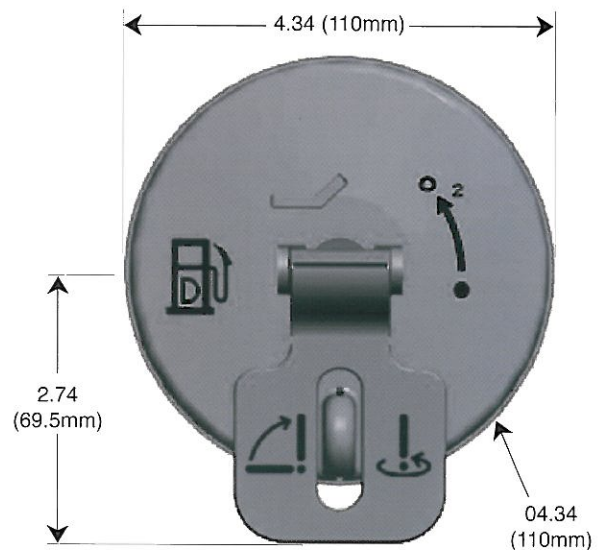
### FILLER NECK & ADAPTERS AVAILABLE

Metallic or Plastic - Weld on, bolt on, thread on, or press-in options.

See adapter data sheet for specifications



### LIFT & TURN COMPOSITE CAP



Cap Configuration Matrix	STANDARD	OPTIONS	CUSTOMIZED
CAP COLOR	Black	Green	Any
FILTRATION	120µ	10µ	<10µ
FLUID SYMBOL	Fuel	Hydraulic	Any
VENTING SPECS	Vacuum & Pressure Relief	Non-Venting or Free Breathing	Special Requirements
LOCKING SPECS	Pad Locking Hasp	Integral Handle Lock	Custom Keyed
LANYARD	None	Zinc Plated Steel	Stainless Steel
CUSTOMER LOGO	None	Any	Any



Custom Products for Distinguished Customers

25190 Bernwood Drive, Bonita Springs, FL 34135

toll free 1.800.997.SHAW tel 239.405.6100 www.ShawDev.com